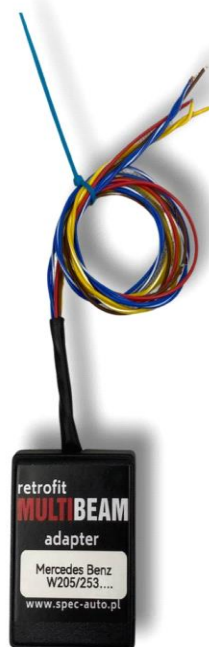


Mercedes Benz Multibeam LED Headlights Retrofit Adapter Version 1.04

Supports W205/ W253



Emulator Wirres

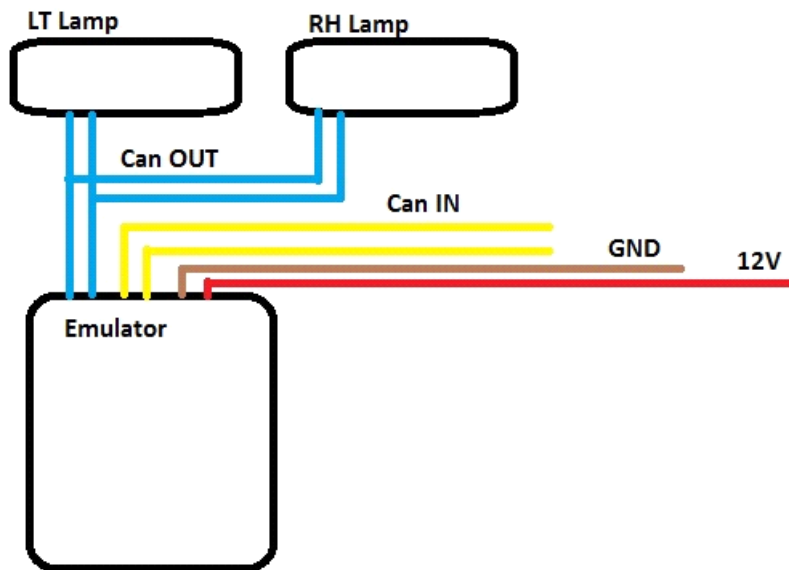
- 1.Can H IN (yellow/white)
- 2.Can L IN (yellow)
- 3.Can H OUT (blue/white)
- 4.Can L OUT (blue)
- 5.12V - 30 (red)
- 6.GND - 31 (browm)



Suggested place for 12V power supply and fuse,
Gnd to Car Body



Schematic diagram



*If errors appear on the meter, change the coding as in the example below.

SAM Front

- - 12-20-2021
- - 02-02-2022
- - 05-03-2022
- - 07-17-2023