

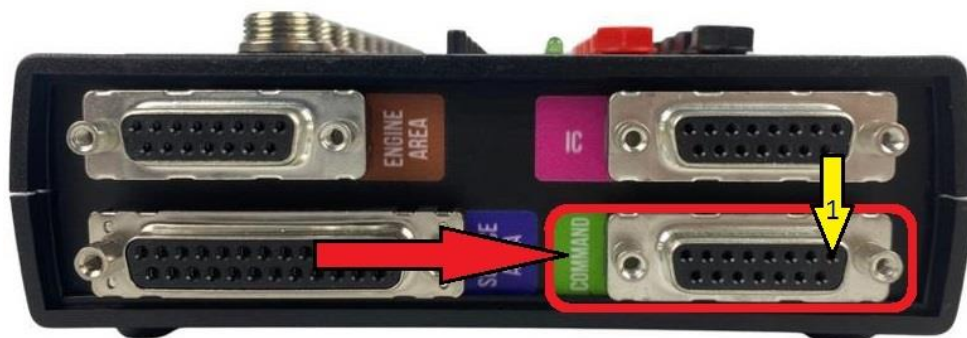
SpecToolV2

Connection Command

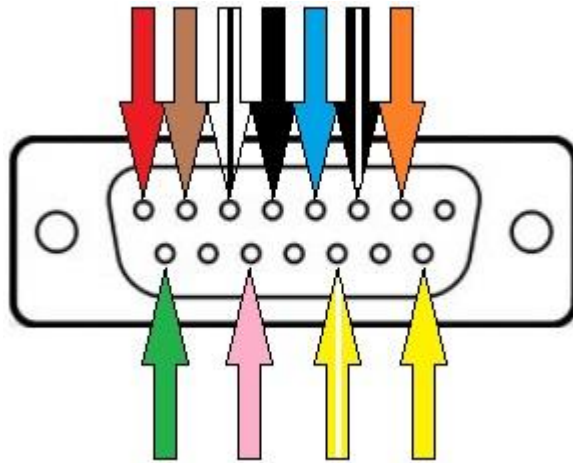
HU4.x



- Coommand Outs



Command - DSUB 15PIN

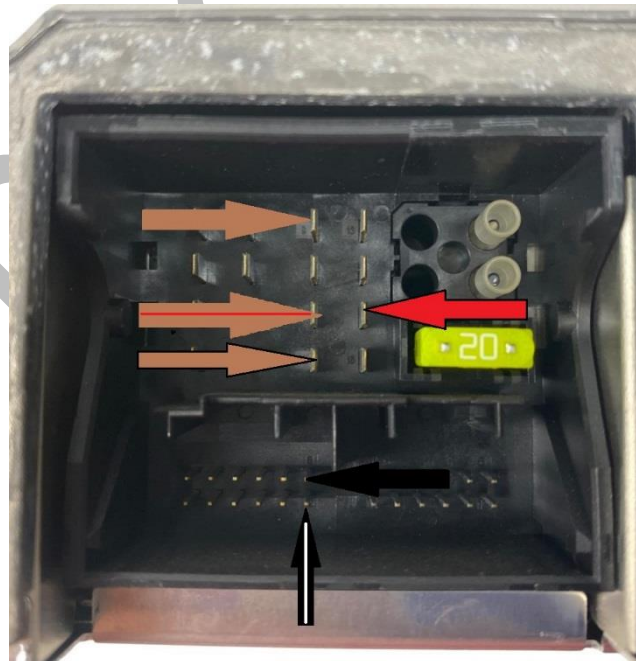


	Color	Pin
DOIP 8 OBD	Orange	2
BK/WH CAN H	Black/White	3
DOIP 11 OBD	Blue	4
BK CAN L	Black	5
DOIP 3 OBD	White/Black	6
GND	Brown	7
12V	Red	8
HMI CAN L	Yellow	9
HMI CAN H	Yellow/White	11
DOIP 12 OBD	Pink	15
DOIP 13 OBD	Green	13
Brown Can L	Brown	1
Brown Can H	Brown Red	14

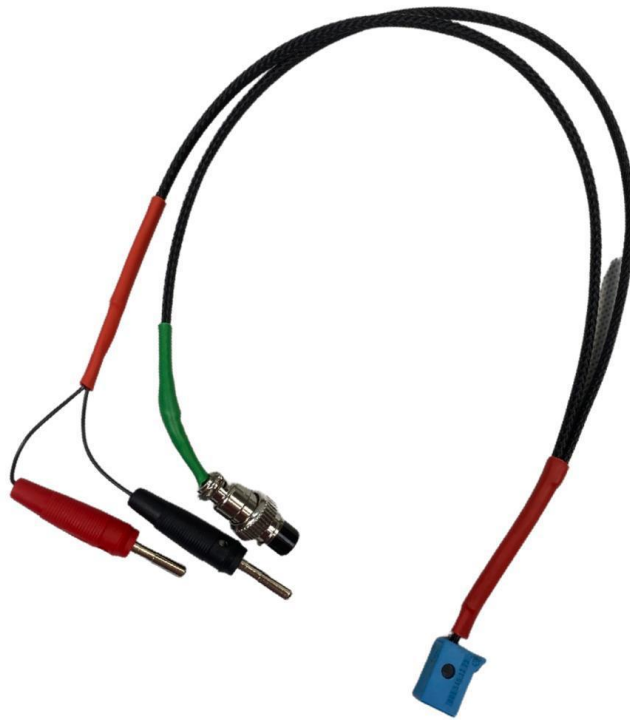


HU4.x

Color	Pin	Go to HU
Brown CAN L	1	A9
Brown CAN H	14	A11
Black/White	3	B12
Black	5	B6
Red 12V	8	A15
Brown GND	7	A12



LCD



GND	1
12V	2
Black	4
Black/White	8

Spec-Auto