

SpecToolV2

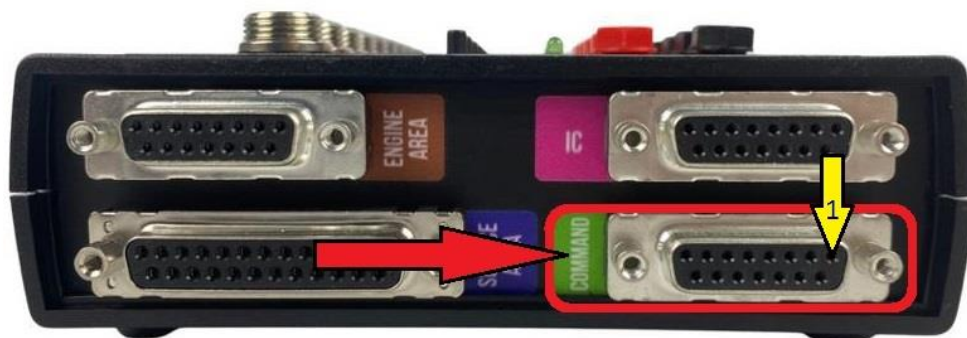
Connection Command

HU6

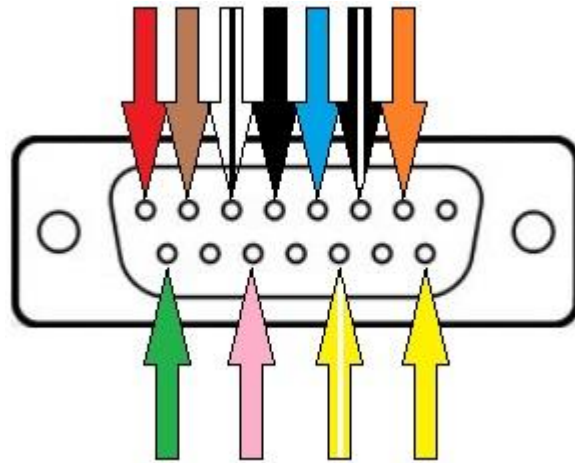
V.1.001



- Coommand Outs

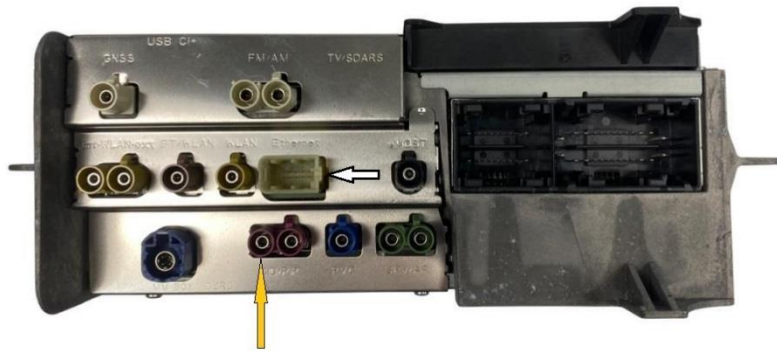


Command - DSUB 15PIN



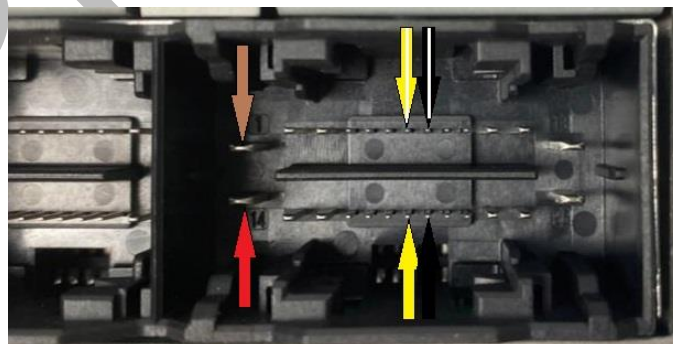
	Color	Pin
DOIP 8 OBD	Orange	2
BK/WH CAN H	Black/White	3
DOIP 11 OBD	Blue	4
BK CAN L	Black	5
DOIP 3 OBD	White/Black	6
GND	Brown	7
12V	Red	8
HMI CAN L	Yellow	9
HMI CAN H	Yellow/White	11
DOIP 12 OBD	Pink	13
DOIP 13 OBD	Green	15

HU6



Pinout HU6

Color	Pin	Go to HU
Orange	6	Ethernet
Black/White	8	2
Blue	8	Ethernet
Black	21	2
White/Black	7	Ethernet
Brown	1	2
Red	14	2
Yellow	20	2
Yellow/White	7	2
Pink	9	Ethernet
Green	10	Ethernet

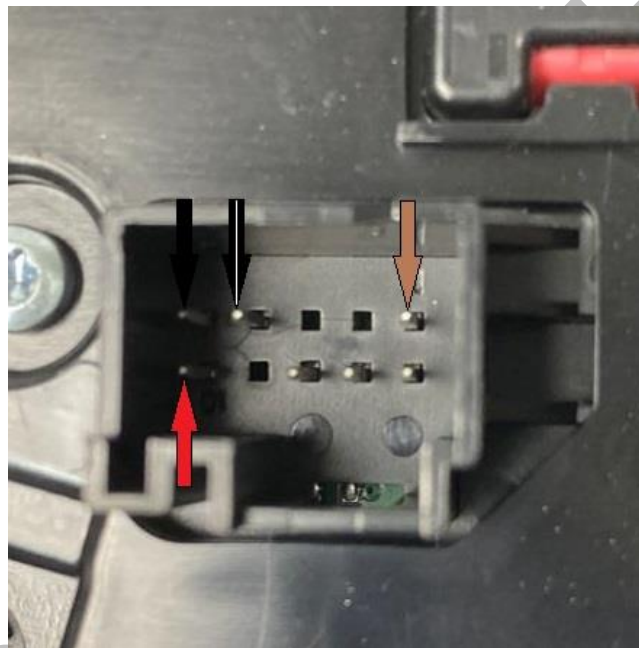


LCD BIG



GND	9
12V	10
Black	5
Black/White	1

JOG 247



	JOG
12V	10
GND	1
BK/WH CAN H	4
BK CAN L	5