



**Description:**

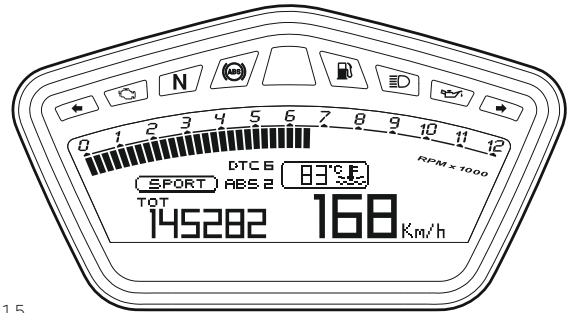


```

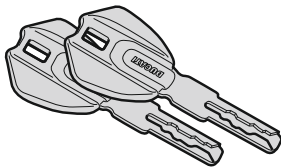
Module.....Dashboard
Manufacturer.....M.A.E. elettronica
Ref OEM.....40610951 [D/E/F]
                40610952E
                40610953E
                40611221 [B/C]
                40611222 [B/C]

Memory device.....Eeprom 24C02
Memory size.....256 bytes

Vehicles.....Hypermotard 821    MY 2013-2015
                Hypermotard 821SP MY 2013-2015
                Hyperstrada 821   MY 2013-2015
                Hypermotard 939   MY 2016-2018
                Hypermotard 939SP MY 2016-2018
                Hyperstrada 939   MY 2016-2018
    
```



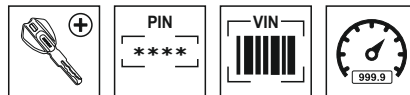
**Immobilizer System:**



- Ducati I2K-2 Immobilizer system.
- All vehicles equipped with I2K-2 Immobilizer system have a standard supply consisting in 2 keys.
- The Keys are provided with a passive transponder Texas DST-80.
- The key electronic codes are stored in the instrument panel control unit that work as Immobilizer.
- The number of keys that can be memorized by the I2K-2 system is 2 and it is not possible to program one or more than 2 keys.

**Software options:**

- \* Immobilizer Keys programming
- \* Show PIN code
- \* VIN code edit
- \* Odometer correction



**WARNING**



The Immobilizer release function via Pin Code is available **ONLY** if the Customer has performed the memorization procedure of the secret code.

**Spare tools/units:**

- \* [Key Copy Tool](#) - Copy Texas Crypto DST transponders
- \* [Key Production](#) - Ducati Scrambler transponder generation





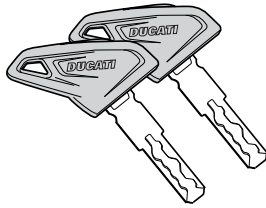
**Description:**



Module.....Dashboard  
 Ref OEM.....40611111G  
 Memory device.....Eeprom 24C512  
 Memory size.....65536 bytes  
 Vehicles.....Scrambler MY 2015-2020:  
                   Scrambler Icon  
                   Scrambler Full Throttle  
                   Scrambler Classic  
                   Scrambler Urban Enduro  
                   Scrambler Italia Independent  
                   Scrambler Cafè Racer  
                   Scrambler Flat Track Pro  
                   Scrambler Desert Sled  
                   Scrambler Mach 2.0



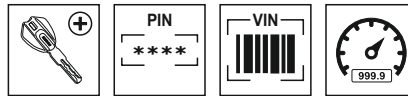
**Immobilizer System:**



- Ducati I2K-2 Immobilizer system.
- All vehicles equipped with I2K-2 Immobilizer system have a standard supply consisting in 2 keys.
- The keys are provided with a passive transponder Texas DST-80.
- The key electronic codes are stored in the instrument panel control unit that work as Immobilizer.
- The number of keys that can be memorized by the I2K-2 system is 2 and it is not possible to program one or more than 2 keys.

**Software options:**

- \* Immobilizer Keys programming
- \* Show PIN code
- \* VIN code edit
- \* Odometr correction



**Spare tools/units:**

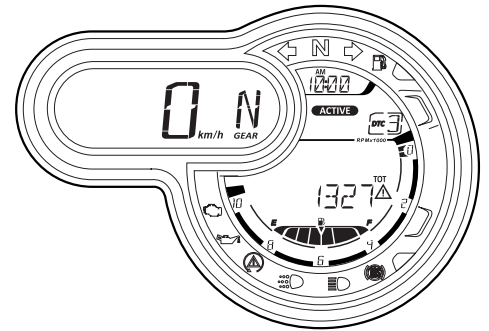
- \* [Key Copy Tool](#) - Copy Texas Crypto DST transponders
- \* [Key Production](#) - Ducati Scrambler transponder generation



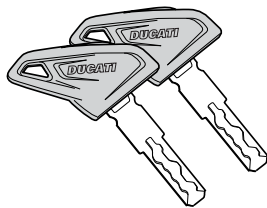
**Description:**



Module.....Dashboard  
 Ref OEM.....40611532B  
 Memory device.....Eeprom 24C512  
 Memory size.....65536 bytes  
 Vehicles.....Scrambler 1100 MY 2018-2022:  
                   Scrambler 1100  
                   Scrambler 1100 Sport  
                   Scrambler 1100 Special  
                   Scrambler 1100 Pro  
                   Scrambler 1100 Sport Pro  
                   Scrambler 1100 Dark Pro



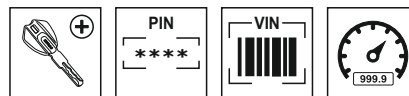
**Immobilizer System:**



- Ducati I2K-2 Immobilizer system.
- All vehicles equipped with I2K-2 Immobilizer system have a standard supply consisting in 2 keys.
- The Keys are provided with a passive transponder Texas DST-80.
- The key electronic codes are stored in the instrument panel control unit that work as Immobilizer.
- The number of keys that can be memorized by the I2K-2 system is 2 and it is not possible to program one or more than 2 keys.

**Software options:**

- \* Immobilizer Keys programming
- \* Show PIN code
- \* VIN code edit
- \* Odometr correction



**Spare tools/units:**

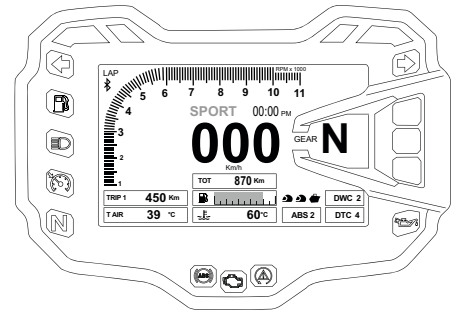
- \* [Key Copy Tool](#) - Copy Texas Crypto DST transponders
- \* [Key Production](#) - Ducati Scrambler transponder generation



**Description:**



Module.....Dashboard  
 Manufacturer.....M.A.E. elettronica  
 Ref OEM.....40611261B  
 Memory device.....9S12G192 Freescale MCU (QFP100)  
 Memory type.....MCU Eeprom  
 Memory size.....4096 bytes  
 Vehicles.....Ducati Multistrada 950 MY 2017-2020



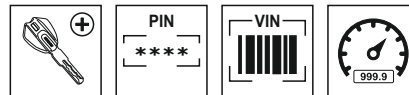
**Immobilizer System:**



- Ducati I2K-2 Immobilizer system.
- All vehicles equipped with I2K-2 Immobilizer system have a standard supply consisting in 2 keys.
- The Keys are provided with a passive transponder Texas DST-80.
- The key electronic codes are stored in the instrument panel control unit that work as Immobilizer.
- The number of keys that can be memorized by the I2K-2 system is 2 and it is not possible to program one or more than 2 keys.

**Software options:**

- \* Immobilizer Keys programming
- \* Show PIN code
- \* VIN code edit
- \* Odometr correction



**NOTE**

\* This unit for Ducati Multistrada 950 with passive keys (without hands free unit).  
 Ducati Multistrada 1200 (MY 2015+) with hands free module equipped same dashboard without Immobilizer system. For this models use:

- [Dump Tools/Unit Dt0021](#)( HF Immobilizer unit) for Key programming
- [Dump Tools/Unit Dt0022](#)( Dashboard ) for odometr/vin correction

**Spare tools/units:**

- \* [Dump Tools/Unit DT0020](#) - Ducati Black Box control unit
- \* [Key Copy Tool](#) - Copy Texas Crypto DST transponders
- \* [Key Production](#) - Ducati Multistrada transponder generation

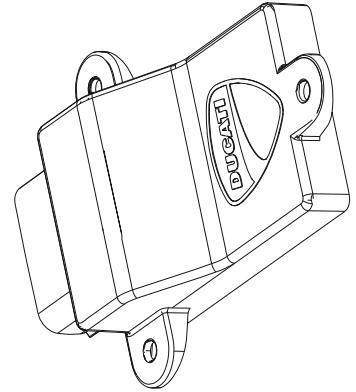




**Description:**



Module.....Ducati BlackBox control unit  
Ref OEM.....38510191C  
                  38512041B  
Memory device.....Eeprom 24C16  
Memory size.....2048 bytes



**Software options:**

- \* VIN code edit
- \* Odometr correction



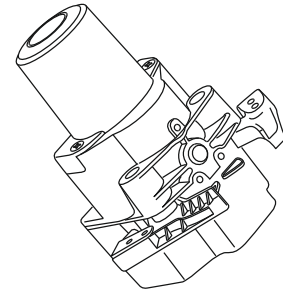
**Spare tools/units:**

- \* Dump Tools/Unit Dt0022 - Ducati Dashboard
- \* Dump Tools/Unit Dt0023 - Ducati Dashboard

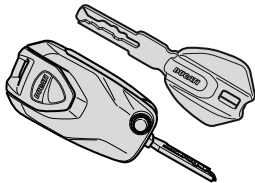


**Description:**

Module.....Hands-Free control unit  
 Manufacturer.....ZADI  
 Memory device.....Eeprom 24C04  
 Memory size.....512 bytes  
 Vehicles.....Ducati Diavel  
                   Ducati XDiavel  
                   Ducati Multistrada 1200



**Immobilizer System:**



- Ducati HF Immobilizer system.
- All vehicles equipped with HF Immobilizer system have a standard supply consisting in:
  - 1 active key
  - 1 passive key

**Software options:**

\* Immobilizer Keys programming



**Spare tools/units:**

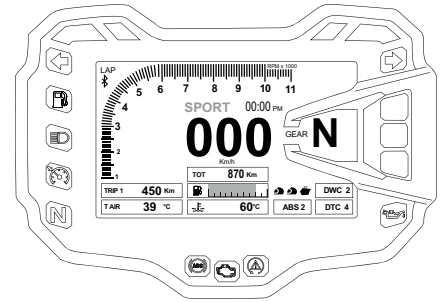
- \* Dump Tools/Unit DT0020 - Ducati Black Box ECU unit
- \* Dump Tools/Unit Dt0022 - Ducati Dashboard
- \* Dump Tools/Unit Dt0023 - Ducati Dashboard





*Description:*

Module.....Dashboard  
 Manufacturer.....M.A.E. elettronica  
 Memory device.....9S12G192 Freescale MCU (QFP100)  
 Memory type.....MCU Eeprom  
 Memory size.....4096 bytes  
 Vehicles.....Ducati Multistrada 1200 MY 2015



*Software options:*

- \* VIN code edit
- \* Odometr correction



*Spare tools/units:*

- \* [Dump Tools/Unit DT0020](#) - Ducati Black Box control unit
- \* [Dump Tools/Unit Dt0021](#) - Ducati Hands Free Immobilizer unit
- \*

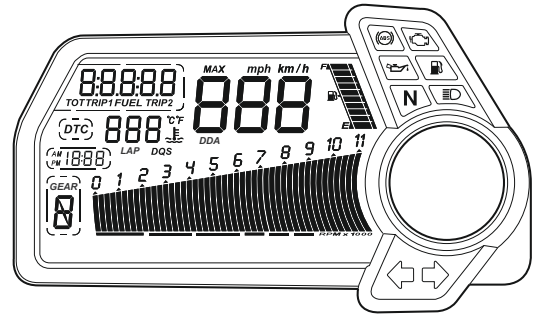


**Description:**

Module.....Dashboard  
 Ref OEM.....40610871B  
                   40610872B  
                   40610873B

Vehicles.....Multistrada MY 2010-2014:  
                   Multistrada 1200  
                   Multistrada 1200S  
                   Multistrada 1200S Sport  
                   Multistrada 1200S Touring  
                   Multistrada 1200S Pikes Peak

Memory device.....Eeprom 24C16  
 Memory size.....2048 bytes



**Software options:**

- \* Show PIN code
- \* VIN code edit
- \* Odometr correction



**Spare tools/units:**

- \* [Dump Tools/Unit DT0020](#) - Ducati Black Box control unit
- \* [Dump Tools/Unit Dt0021](#) - Ducati Hands Free Immobilizer unit