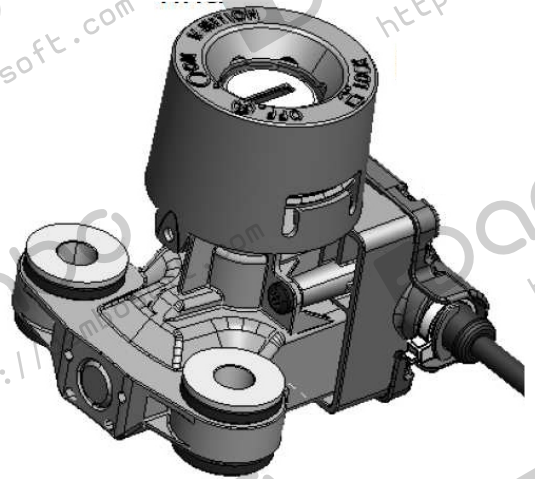




Module.....Key operated switch
 Manufacturer.....ZADI S.p.A.
 Ref OEM.....60311066000
 60311066100

Memory device.....9S12P128 Freescale MCU
 Memory type.....MCU Eeprom
 Memory size.....4096 bytes

Spare key Ref OEM....60411067000
 69011067000



Description

Vehicles

KTM 1090 Adventure	MY2016-2019
KTM 1090 Adventure R	MY2016-2019
KTM 1190 Adventure	MY2013-2016
KTM 1190 Adventure R	MY2013-2016
KTM 1050 Adventure	MY2015-2016
KTM 1290 Super Duke R	MY2014-2016
KTM 1290 Super Adventure	MY2015-2016
KTM 1290 Super Adventure T	My2017

Immobilizer

ZADI E-LOCK Immobilizer system.
 All vehicles equipped with E-Lock Immobilizer system have a standard supply consisting in:

- 1 Orange key
- 2 Black keys
- 1 Code card

Orange key allows programming, deleting and reprogramming the black keys.

The maximum number of keys that can be memorized is 5:

- 1 Orange key
- 4 Black keys



Software options



Immobilizer Keys programming



Make Orange key clone



Display CODE NUMBER for cutting



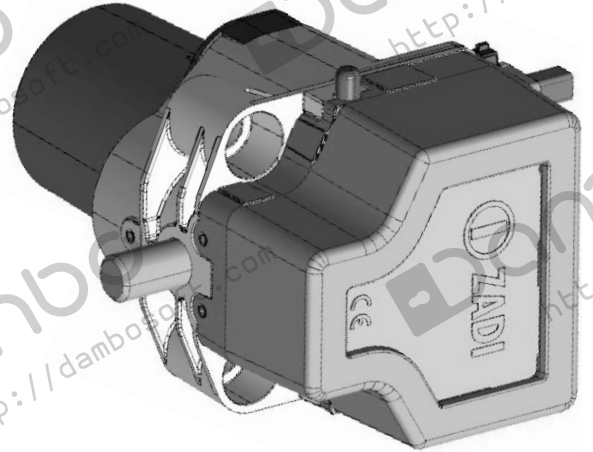
VIN code edit



Module.....Ignition Lock RACE-ON
 Manufacturer.....ZADI S.p.A.
 Ref OEM.....61611266000 (433 Mhz)
 60711266000 (433 Mhz)
 61611066000 (868 Mhz)
 60711066000 (868 Mhz)

Memory device.....9S12GA240 Freescale MCU
 Memory type.....MCU Eeprom
 Memory size.....4096 bytes

Spare key Ref OEM....60411067000
 69011067000



Description

Vehicles

KTM 1290 Super Duke R MY2017-2021
 KTM 1290 Super Adventure R MY2017-2020
 KTM 1290 Super Adventure S MY2018-2020

Immobilizer

- Zadi HF Immobilizer system.
- All vehicles equipped with HF Immobilizer system have a standard supply consisting in:
 - 1 active key
 - 1 passive key
 - 1 Code card
- A total of up to four keys can be memorized.



Software options



Immobilizer Keys programming



VIN code edit